

# SHREYANS True Union Ball Valve

## Product advantages:

- 1.The inner body are processed by digital lath to ensure the good seal of threaded carrier.
- 2.Each ball be polished after rough turning and fine turning to ensure its smooth and good performance in seal.
- 3.The body and hole of stem should be processed by lath to assure the stability of the seal and to increase strength.
- 4.The tooth of products( size bigger than 2-1/2 inch) are processed and finished by lathes to ensure the union cap and the body be assembled more closely.
- 5.100% pressure/hydro test before valve be sent out our factory.
- 6.The valve with locking of union nuts design ANTI-shocking.
- 7.Can be assembled with electric or pneumatic actuators.

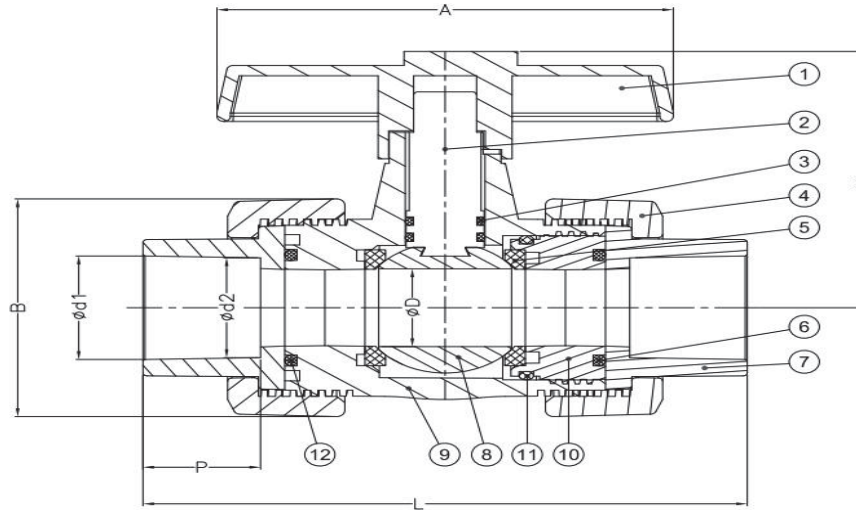
## Pictures



## Description:

- 1.Mateial: UPVC、CPVC、PP-H
- 2.Size: 1/2"-4"
- 3.End connector: SOCKET/THREADED
- 4.Standard: ANSI, DIN, JIS, CNS
- 5.Working presure:150 PSI
- 6.Operate Temperature:  
UPVC(0-45°C), CPVC& PP-H(0-95°C)
- 7.Color of handle: Red, blue, yellow etc.
- 8.Colr of body: UPVC(dark gray)  
CPVC(light gray/yellow)  
PP-H(light yellow)

Specifications:



SHREYANS true union ball valve

	A	B	L	H	P
15(1/2")	81.5	47.7	115.8	47.5	20.9
20(3/4")	100.6	61.0	129.4	59.7	23.4
25(1")	111.0	69.8	147.2	66.5	28.0
32(1-1/4")	110.3	81.3	167.3	67.4	31.6
40(1-1/2")	125.2	93.0	185.2	86.8	34.5
50(2")	152.7	112.3	195.5	104.5	35.6

	A	B	L	H	P
65(2-1/2")	189.4	150.0	226.3	136.5	43.7
80(3")	230.0	184.0	278.0	165.0	47.5
100(4")	274.0	226.0	324.0	172.0	57.2

Item	Parts	Material	PCS
1	Handle	ABS	1
2	Stem	UPVC/CPVC/PPH	1
3	Stem O-ring	EPDM/VITON	2
4	Union Nut	UPVC/CPVC/PPH	2
5	Seat	PTFE	2
6	Seat O-ring	EPDM/VITON	1
7	Connector	UPVC/CPVC/PPH	2
8	Ball	UPVC/CPVC/PPH	1
9	Body	UPVC/CPVC/PPH	1
10	Seat	UPVC/CPVC/PPH	1
11	Seat O-ring	EPDM/VITON	1
12	End O-ring	EPDM/VITON	1
13	Cap	ABS	1

SIZE	D	ANSI		DIN		JIS		CNS	
		d1	d2	d1	d2	d1	d2	d1	d2
15(1/2")	15	21.54	21.23	20.30	20.10	22.40	21.73	22.40	21.90
20(3/4")	20	26.87	26.57	25.30	25.10	26.45	25.69	26.40	25.90
25(1")	25	33.65	33.27	32.30	32.10	32.55	31.70	34.50	33.90
32(1-1/4")	32	42.42	42.04	40.30	40.10	38.60	37.65	42.50	41.90
40(1-1/2")	40	48.56	48.11	50.30	50.10	48.70	47.74	48.60	47.90
50(2")	50	60.63	60.17	63.30	63.10	60.80	59.78	60.60	59.90

SIZE	D	ANSI		DIN		JIS		CNS	
		d1	d2	d1	d2	d1	d2	d1	d2
65(2-1/2")	65	73.38	72.85	75.30	75.10	76.60	75.68	76.70	75.90
80(3")	80	89.31	88.70	90.40	90.10	89.60	88.55	89.70	88.90
100(4")	100	114.76	114.10	110.40	110.10	114.70	113.60	115.00	113.80

# SHREYANS butterfly valve

## Product advantages:

1. PP-H Disc, good performance in temperature resistance. Both axons side of the disc have been processed by CNC lath to ensure the medium is not contact directly with stem.

2. The diameter of body holes and the surface are highly finishing by lath, and make it closer cooperate with seat and the little tension of the Close/Open.

3. The hole for assembling the body and stem is processed by boring machine which to assure the stability of the seal.

4. All of the metal parts are made of SUS304 to anti-rust and increase the long life.

5. The handle made of ABS engineering plastic assure it is not easy to break, it is detachable and convenient to assemble.

6. Can be assembled with electric or pneumatic actuators.

## Pictures



## Description:

1. Material: UPVC, CPVC, PP-H

2. Size: 2"-8"

3. End connector: SOCKET/THREADED

4. Standard: ANSI, DIN, JIS, CNS

5. Working pressure: 150 PSI

6. Operating Temperature:

UPVC (0-45°C), CPVC & PP-H (0-95°C)

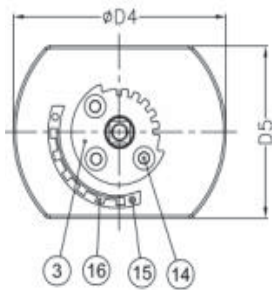
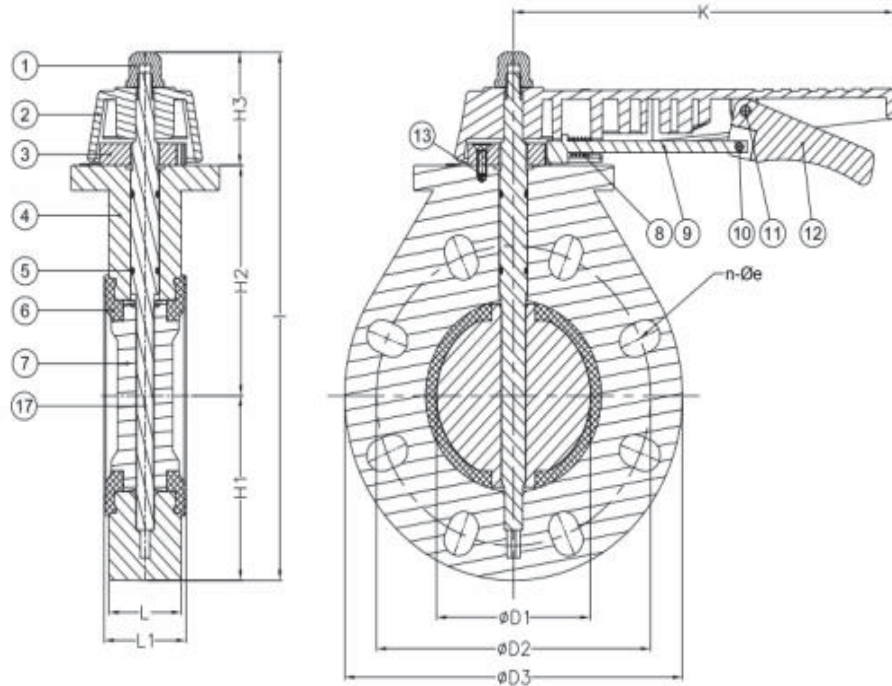
7. Color of body: UPVC (dark gray)

CPVC (light gray/yellow)

PP-H (light yellow)



Specifications:



SHREYANS butterfly valve

Item	Parts	Material	PCS
1	Stem bolt	UPVC BRASS	1
2	Handle	ABS	1
3	Teeth Plate	UPVC/CPVC/PPH	1
4	Body	UPVC/CPVC/PPH	1
5	Stem O-ring	EPDM/VITON	2
6	Seat	EPDM/VITON	1
7	Disc	UPVC/CPVC/PPH	1
8	Spring	SUS304	1
9	Lever	SUS304	1
10	Lever pin	SUS304	1
11	Lever pin	SUS304	1
12	Lever	ABS	1
13	Bolt	SUS304	3
14	Teeth plate bolt	SUS304	3
15	Indicator bolt	SUS304	2
16	Indicator	SUS304	1
17	Stem	SUS304	1

	D1	D2	D3	D4	D5	L	L1	H1	H2	H3	n	e	l
50(2")	55.0	121.7	163.4	104.5	92.5	36.0	44.0	81.7	105.4	61.9	4	19.0	249
65(2-1/2")	69.0	136.0	184.0	128.3	95.7	40.3	49.3	92.0	115.0	60.0	4	19.0	267
80(3")	78.0	154.0	195.0	127.4	95.1	40.1	49.6	97.5	123.0	59.5	8	19.0	280
100(4")	99.5	181.0	223.0	132.3	98.6	48.0	53.3	111.5	139.0	64.5	8	19.0	315
125(5")	128	211.0	252.0	167.5	99.5	51.0	61.2	126.0	156.0	86.0	8	23.5	368
150(6")	150	239.0	284.0	168.0	100.6	50.8	56.0	142.0	175.5	86.5	8	24.0	404
200(8")	200	295	344.0	191.0	110.0	61.0	64.0	172.0	212.0	86.0	8	24.0	470